

REV.	ECO/DDC	DESCRIPTION	DATE	DRAFT	CHECK	APV'D
B	11041	REVISED PER ECN.	11-17-11	V.J.C.	D.M.	V.J.C.

INSTALLATION INSTRUCTIONS:

GENERAL:
THE MODULES CAN PREFERABLY BE WELDED TO LOAD CARRIER AND FOUNDATION, WHICH ELIMINATES PROBLEMS OF GETTING HOLES ON TOP AND BOTTOM LINED UP. OR, FOR EXAMPLE, BOLTED ON TOP AND WELDED ON BOTTOM. THE MODULES ARE DELIVERED PRE-ASSEMBLED EXCL. LOAD CELLS AND LOADING CUPS AS SHOWN ON FIGURE 1.

- INSTALLATION:**
1. POSITION THE PRE-ASSEMBLED MODULES ON THE FOUNDATION PLATES AND PUT ON THE LOAD CARRIER AS SHOWN IN FIGURE 1.
 2. WELD MODULES ON TOP AND BOTTOM AS SHOWN ON FIGURE 1. ALSO SEE NOTE 2. ALTERNATIVELY BOLT AS SHOWN ON FIGURE 3.
 3. APPLY A LAYER OF GREASE TO THE O-RINGS PROVIDED INSIDE THE UPPER AND LOWER LOAD CUPS AND ASSEMBLE CUPS WITH THE LOAD SENSOR. SLIDE LOAD SENSOR WITH CUPS INTO POSITION. MOUNT THE LOWER CLAMP AND TORQUE THE SCREWS TO 11LB-FT [15NM]. ALSO MOUNT THE UPPER CLAMP BUT TORQUE SCREWS LOOSELY AT THIS STAGE. **IMPORTANT!** THE LOWER LOAD CUP IS TALLER THAN THE UPPER LOAD CUP AND IS DESIGNED TO PREVENT LOAD SENSOR ROTATION. THE LOWER LOAD CUP SHOULD ALWAYS BE POSITIONED AT THE LOW SIDE LOCATION OF THE WEIGH MODULE.
 4. REMOVE THE 2 FIXATION SCREWS ON ALL WEIGH MODULES. CHECK THAT THE GAP BETWEEN THE LIFT OFF WASHER AND THE BOTTOM UNIT IS AT 10 MM.
 5. FOR ONE MODULE AT A TIME, LIFT THE LOAD CARRIER SLIGHTLY 1-3 MM TO ALLOW REMOVAL OF THE SPACERS. LIFTING IS PREFERABLY DONE WITH A HYDRAULIC JACK POSITIONED IN SUITABLE POSITION CLOSE TO THE MODULE.
 6. LOWER THE LOAD CARRIER ONTO LOAD SENSOR AND REMOVE THE JACK. NOW TORQUE THE SCREWS FOR THE UPPER CLAMP TO 11LB-FT [15NM]. SET THE "LIFT OFF GAP" TO 1-3 MM AND LOCK THE LIFT OFF SCREW WITH THE LOCKING SCREW.
 7. REPEAT THE PROCEDURE DESCRIBED IN NOTES 5-6 FOR ALL WEIGH MODULES.

8. FOR VERY STIFF LOAD CARRIERS, SHIMMING MIGHT BE NECESSARY TO OBTAIN EVEN LOAD DISTRIBUTION. THIS SHOULD BE PLANNED AND PREPARED PRIOR TO INSTALLATION.
9. SEE DRAWING SHEET 2 FOR MOUNTING PLATE OFFSET DIMENSIONS.

NOTE 1:
* IN TANK/SILO APPLICATIONS WITH 3 RESPECTIVELY 4 WEIGH MODULES CAN BE ASSUMED THAT MINIMUM 2 MODULES WILL EQUALLY SHARE ACTUAL SIDE FORCE (WIND) ON THE TANK/SILO. ACTUAL LIFT OFF FORCE SHALL, FOR WORST CASE, BE ASSUMED BEING TAKEN BY ONE MODULE. FOR STAINLESS MODULES, REDUCE "MAX LIFT OFF FORCE" AND "MAX SIDE FORCE" STATED IN TABLE TO 60%.

NOTE 2:
MATERIAL OF MILD STEEL WEIGH MODULE IS S355JR.
IF WELDING IS TO BE DONE, MATERIALS MUST BE BROUGHT UP TO SUITABLE TEMPERATURES BEFORE WELDING. AFTER WELDING, CLEAN, APPLY PRIMER AND PROTECTIVE PAINT.

STAINLESS STEEL WEIGH MODULE TOP AND BOTTOM PLATES ARE MADE OF DIN 1.4301 (SS 304) OR ASTM-A240 TYPE 304 (S30400)

NOTE 3:
OPERATING TEMPERATURE RATING FOR LOAD POINT MODULES IS -40°C TO +80°C. USAGE OF LOAD POINT MODULE AT TEMPERATURES BELOW -40°C REQUIRES THAT THE ENTIRE LOAD POINT MODULE ASSEMBLY AND LOAD SENSOR CABLE BE TEMPERATURE CONTROLLED.

CAPACITY LBS [T]	MODEL NUMBER STAINLESS STEEL	MODEL NUMBER PLATED STEEL	LOAD SENSOR MODEL NUMBER	LOAD SENSOR CABLE LENGTH	MAXIMUM LIFT-OFF FORCE KLB [KN] *	MAXIMUM SIDE FORCE KLB [KN] *	WEIGHT - EXCLUDING LOAD SENSOR
66KLB [30T]	HI LPRC03-66K-43C	HI LPRC03-66K-45C	HIRCHC03-66K	30FT [9.1M]	40.4 [180]	20.2 [90]	71LB [32KG]
88KLB [40T]	HI LPRC03-88K-43C	HI LPRC03-88K-45C	HIRCHC03-88K				

DIMENSIONS IN [MM]																				BOLT THREAD		TORQUE LB-FT [NM]		WELD SIZE IN [MM]		
D1	D2	H1	H2	H3	H4	H5	L1	L2	L3	L4	L5	L6	L7	S1	S2	S3	W1	W2	W3	W4	T1	T2	Q1	Q2	X	Y
2.36 [60]	.87 [22]	8.03 [204]	7.87 [200]	1.41 [29]	1.57 [40]	.49 [12.5]	8.27 [210]	8.27 [210]	6.69 [170]	1.18 [30]	4.92 [125]	4.53 [115]	4.53 [115]	.47 [12]	.31 [8]	.24 [6]	5.91 [150]	5.91 [150]	4.33 [110]	3.94 [100]	M30	M20	295 [400]	26 [35]	.31 [8]	.24 [6]

FIGURE 1 MODULE ASSEMBLED FOR SHIPMENT, POSITIONED ON SITE AND SHOWING THE WELDED ALTERNATIVE.

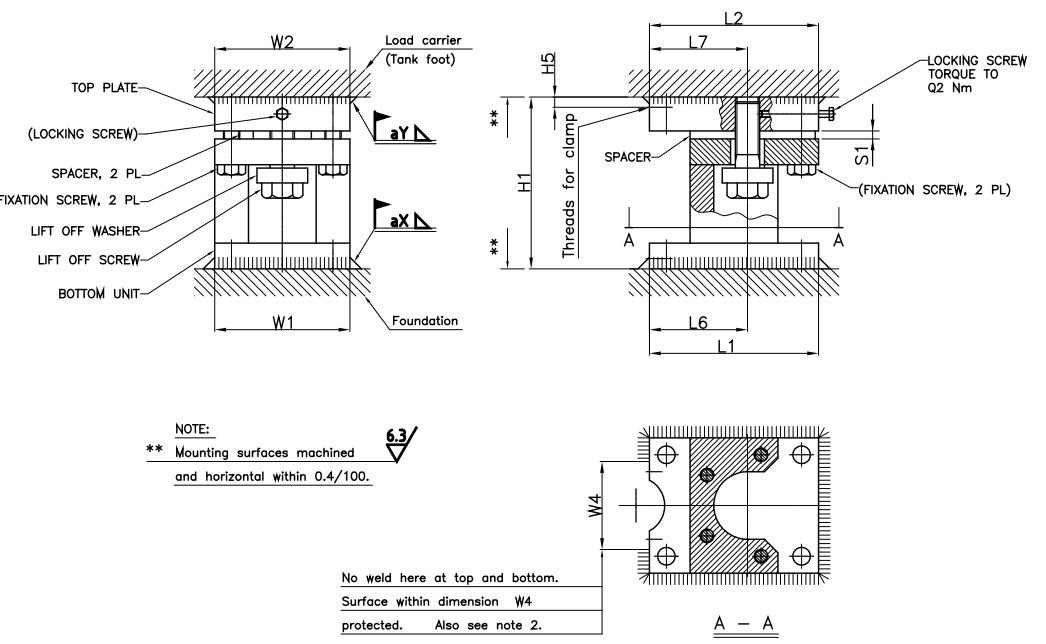


FIGURE 2 WELDED MODULE FINALLY INSTALLED.

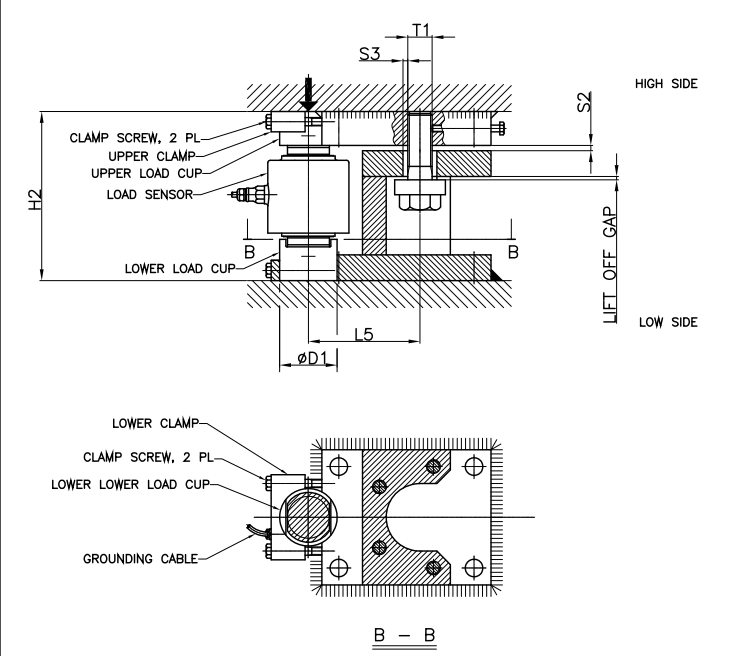
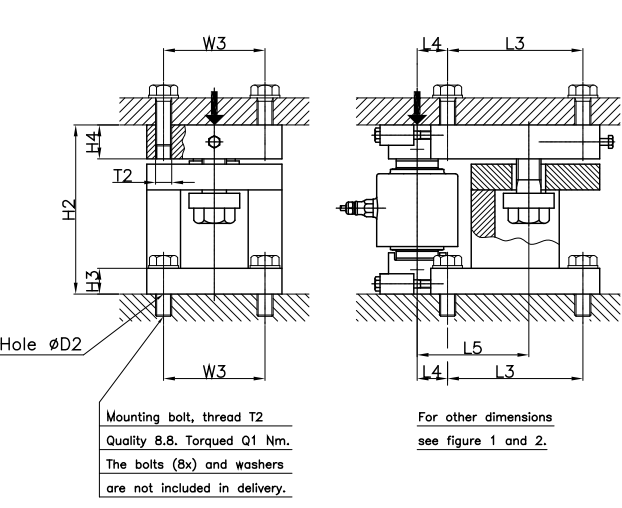


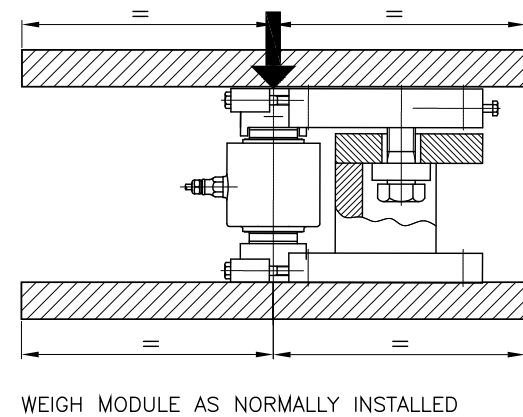
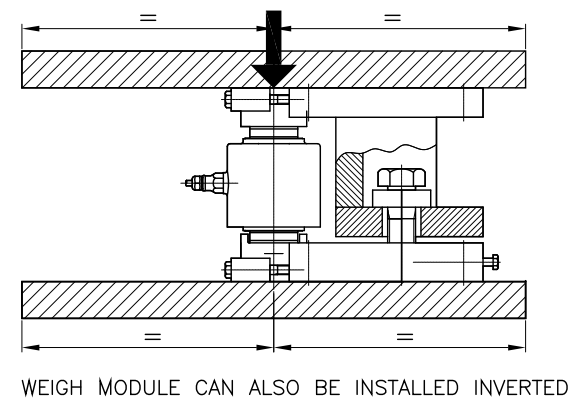
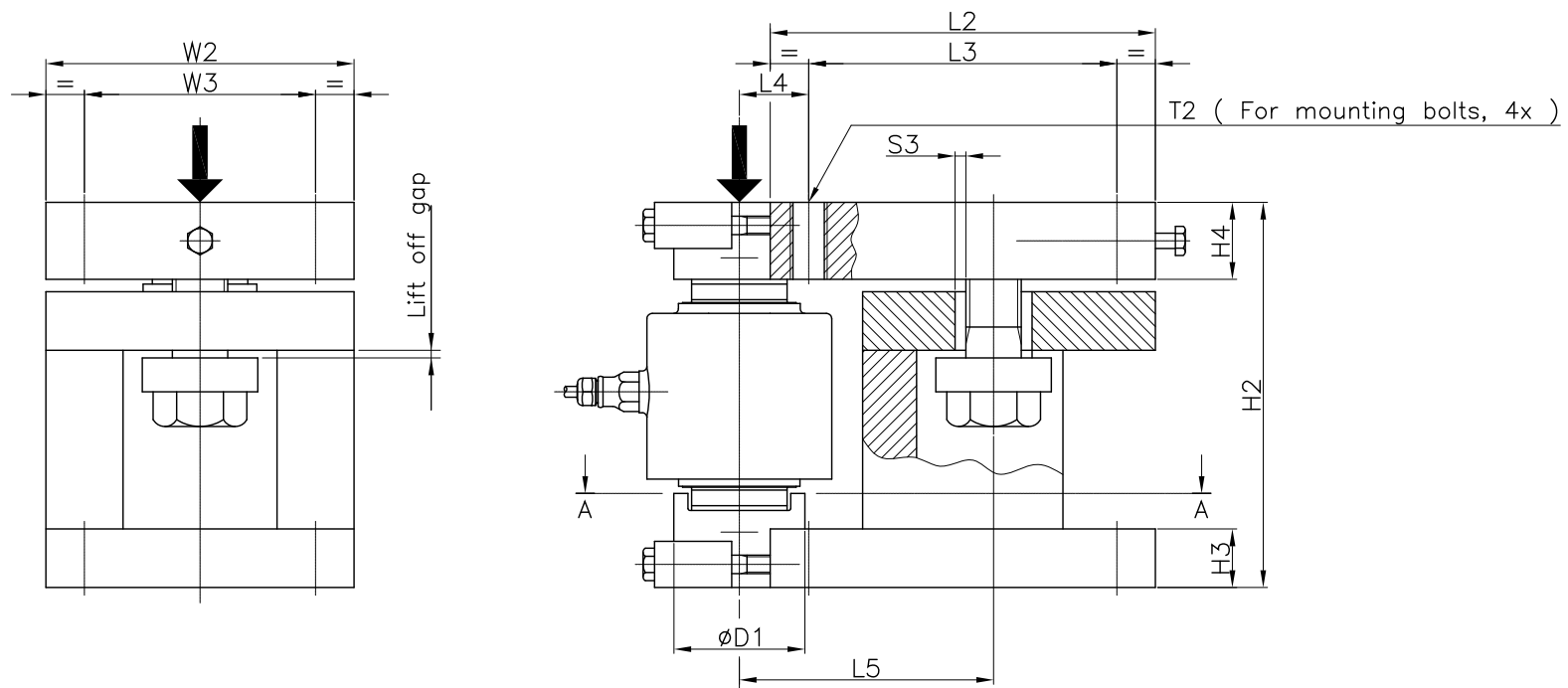
FIGURE 3 BOLTED MODULE FINALLY INSTALLED.



NOTES: UNLESS OTHERWISE SPECIFIED

PROPRIETARY NOTICE
ALL DATA AND INFORMATION CONTAINED IN OR DISCLOSED BY THIS DOCUMENT IS CONFIDENTIAL AND PROPRIETARY INFORMATION OF HARDY PROCESS SOLUTIONS INC. AND ALL RIGHTS THEREIN ARE EXPRESSLY RESERVED. BY ACCEPTING THIS MATERIAL THE RECIPIENT AGREES THAT THIS MATERIAL AND THE INFORMATION CONTAINED THEREIN IS HELD IN CONFIDENCE AND IN TRUST AND SHALL NOT BE USED, COPIED, REPRODUCED IN WHOLE OR IN PART, NOR ITS CONTENTS REVEALED IN ANY MANNER TO OTHERS, EXCEPT TO MEET THE SPECIFIC PURPOSE FOR WHICH IT WAS DELIVERED.

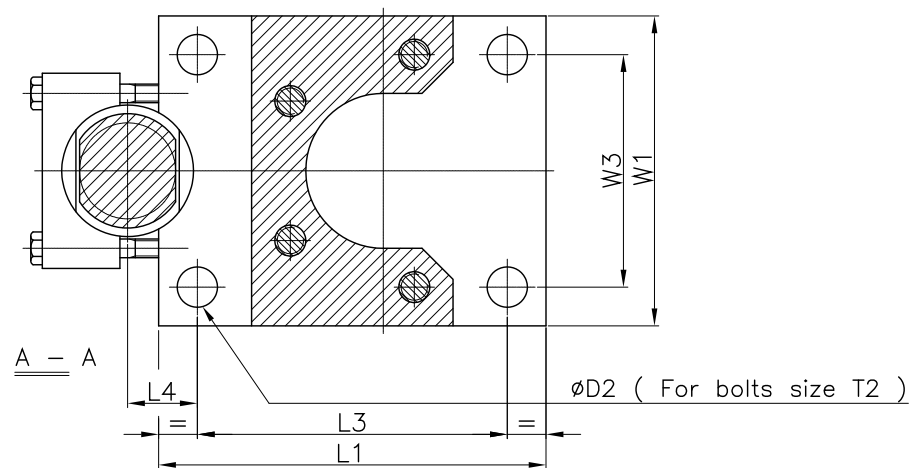
ITEM	QTY	0588-0139	OUTLINE DRAWING, LOAD POINT, HI LPRC03 SERIES, 66KLB-88KLB	SEE NOTES
ITEM	QTY	PART NUMBER	DESCRIPTION	COMMENTS
PARTS LIST				
UNLESS OTHERWISE SPECIFIED DIMENSIONS IN INCHES [MM] TOLERANCES ARE: FRACTIONS: N/A DECIMALS: .XX = ±.03 .XXX = ±.010 ANGLES: ±0°, 30'		CONTRACT NO.		
MATERIAL		APPROVALS		
FINISH		DRAWN V. CHULA DATE 01-30-09		
DO NOT SCALE DRAWING		CHECKED D. DRAKE DATE 01-30-09		
		APPROVED V. CHULA DATE 01-30-09		
		ISSUED V. CHULA DATE 01-30-09		
		PRODUCTION DATE		
		HARDY PROCESS SOLUTIONS		
		TITLE OUTLINE DRAWING, LOAD POINT, HI LPRC03 SERIES, 66KLB-88KLB		
		SIZE D	FSCM 21316	DRAWING NO. 0588-0139
				REV. B
		FILE NAME: 588139B1.DWG		SCALE: NONE
				SHEET 1 OF 2



↓ CENTER POINT – THIS CENTER POINT OF THE UPPER LOAD CUP SHOULD BE CENTERED ON THE LOAD CARRIER FOOT PLATE.

GENERAL:

THE MODULE CAN PREFERABLY BE WELDED TO TANK FOOT AND FOUNDATION PLATE, WHICH ELIMINATES PROBLEMS OF GETTING HOLES ON TOP AND BOTTOM LINED UP. OR, FOR EXAMPLE, BOLTED ON TOP AND WELDED ON BOTTOM.



CAPACITY LBS [T]	MODEL NUMBER STAINLESS STEEL	MODEL NUMBER PLATED STEEL	LOAD SENSOR MODEL NUMBER	LOAD SENSOR CABLE LENGTH	MAXIMUM LIFT-OFF FORCE KLB [KN] *	MAXIMUM SIDE FORCE KLB [KN] *	WEIGHT – EXCLUDING LOAD SENSOR
66KLB [30T]	HI LPRC03-66K-43C	HI LPRC03-66K-45C	HIRCHC03-66K	30FT [9.1M]	40.4 [180]	20.2 [90]	71LB [32KG]
88KLB [40T]	HI LPRC03-88K-43C	HI LPRC03-88K-45C	HIRCHC03-88K				

DIMENSIONS IN [MM]														BOLT THREAD
D1	D2	H2	H3	H4	L1	L2	L3	L4	L5	S3	W1	W2	W3	T2
2.36 [60]	.87 [22]	7.87 [200]	1.41 [29]	1.57 [40]	8.27 [210]	8.27 [210]	6.69 [170]	1.18 [30]	4.92 [125]	.24 [6]	5.91 [150]	5.91 [150]	4.33 [110]	M20

NOTE: * IN TANK/SILO APPLICATIONS WITH 3 RESPECTIVELY 4 WEIGH MODULES CAN BE ASSUMED THAT MINIMUM 2 MODULES WILL EQUALLY SHARE ACTUAL SIDE FORCE (WIND) ON THE TANK/SILO. ACTUAL LIFT OFF FORCE SHALL, FOR WORST CASE, BE ASSUMED BEING TAKEN BY ONE MODULE. FOR STAINLESS MODULES, REDUCE "MAX LIFT OFF FORCE" AND "MAX SIDE FORCE" STATED IN TABLE TO 60%.

HARDY
PROCESS SOLUTIONS

TITLE
OUTLINE DRAWING, LOAD POINT,
HI LPRC03 SERIES, 66KLB-88KLB

SIZE	FSCM	DRAWING NO.	REV.
D	21316	0588-0139	B
FILE NAME: 588139B1.DWG		SCALE: NONE	SHEET 2 OF 2